

Tata Steel Tubes, Corby Collection Plan

Additional Information:

ColdForm		Mon- Fri	24 hours
CenFin			
6"		Mon- Thu	0700-1500 2100 -0700
SR		Fri	0700-1500

PPE Requirements:



Reporting/Arrival:



Site entrance, put on all PPE

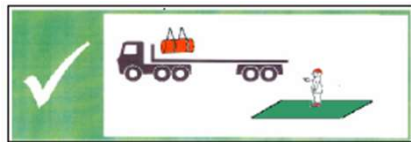


Stop at weigh bridge and book in

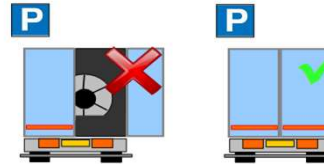


Follow directions to loading point

Stand in green area during loading



DOORS MUST BE KEPT CLOSED WHEN DRIVING ON SITE



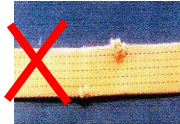
Loading/Securing:



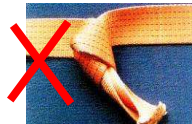
LC 2000 daN or higher



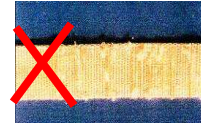
NO CUTS



NO KNOTS



NOT WORN

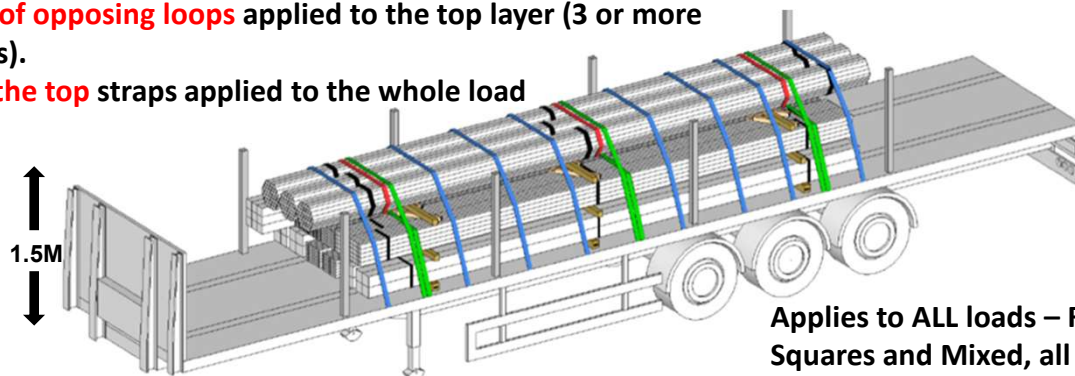


LOADS MUST BE SECURED IN THE LOADING BAY – PLEASE HAVE STRAPS READY BEFORE ENTERING THE BAY

FLAT BED TRAILERS: HEADBOARD HEIGHT MUST BE 1.5M 8 X STANCHION POSTS 4 DOWN EACH SIDE OF 1.5M HIGH, MINIMUM CROSS-SECTION 80 X 80 X 4MM

3 pairs of opposing loops applied to the top layer (3 or more bundles).

8 over the top straps applied to the whole load



Applies to ALL loads – Rounds, Squares and Mixed, all sizes.

