

**Loading:**

Monday – Friday 0600-1700

**PPE Requirements:**



**Additional Information:**

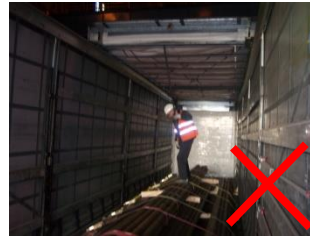
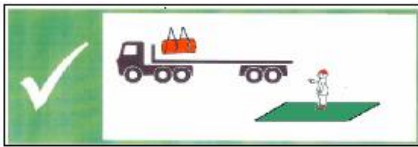


**Reporting/Arrival:**



**Loading/Securing:**

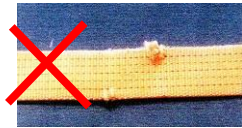
Stand in green area during loading



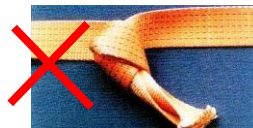
Minimum 12 Straps LC 2000 daN



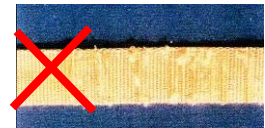
NO CUTS



NO KNOTS

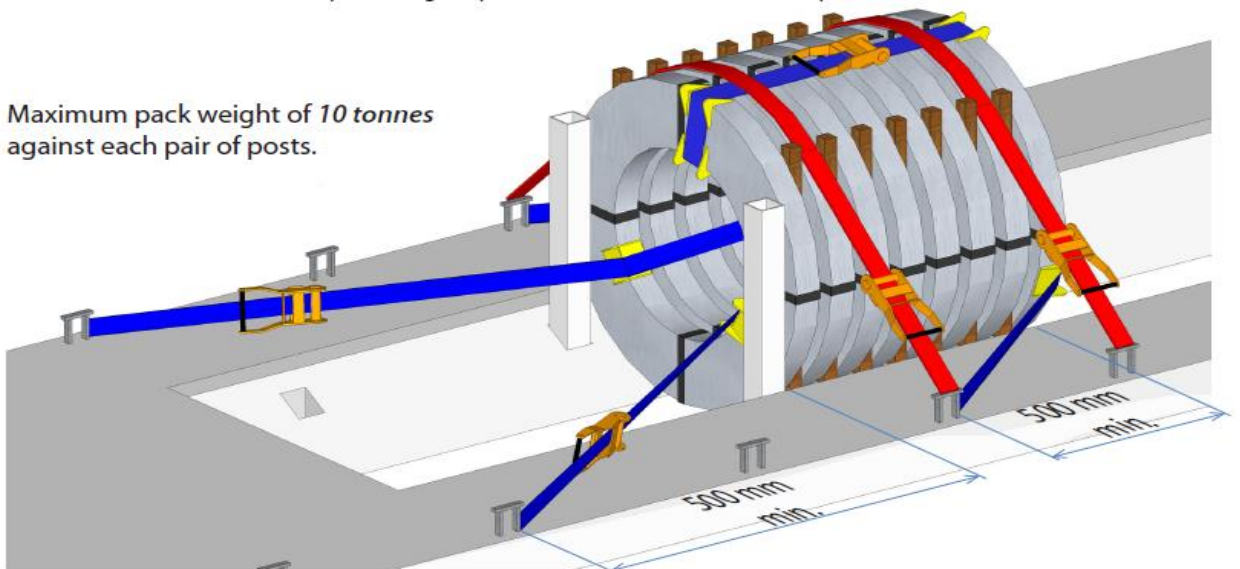


NOT WORN



**LOADS MUST BE SECURED IN THE LOADING BAY – PLEASE HAVE STRAPS READY BEFORE ENTERING THE BAY**

Maximum pack weight of 10 tonnes against each pair of posts.



Note: This document displays the *minimum* restraint requirements for slit coil packs up to 8 tonnes.